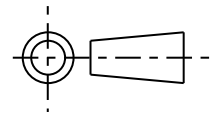


ISS.	DATE	E.C.N.	DESCRIPTION
1	4-May-07		FIRST ISSUE

© 2007 CARCLO
ALL DIMENSIONS IN mm



CARCLO TECHNICAL PLASTICS (SLOUGH)
111 BUCKINGHAM AVE, SLOUGH
SL1 4PF, ENGLAND
TEL: +44 1753 575011 FAX: +44 1753 811359
e-mail: design@carclo-optics.com}

CUSTOMER DRAWING

GENERAL TOLERANCES (UNLESS STATED)

LINEAR	ANGULAR
X +/- 0.25	X +/- 1°
X.X +/- 0.1	X.X +/- 0.5°
X.XX +/- 0.05	X.XX +/- 0.1°

CUSTOMER

CARCLO

TITLE

WIDE SOFT BEAM FROSTED
26.5MM DIA LED OPTIC

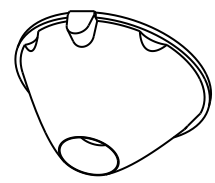
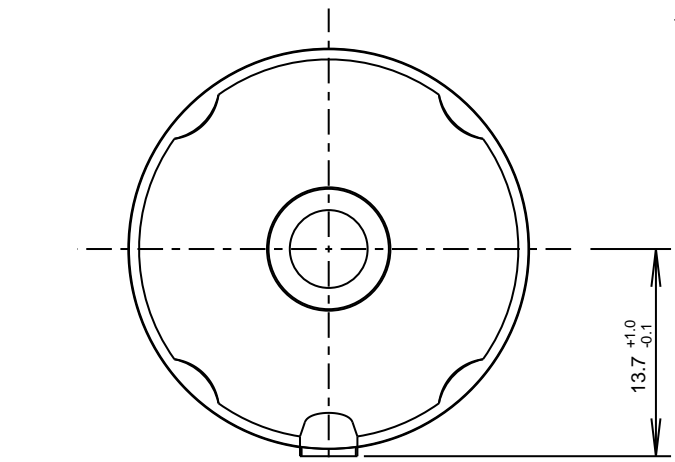
DRAWN AJD DATE 4-May-07

CHK'D DATE

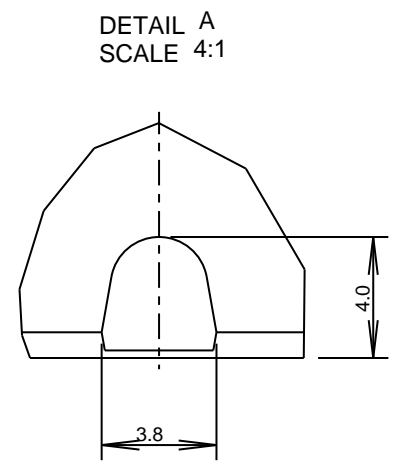
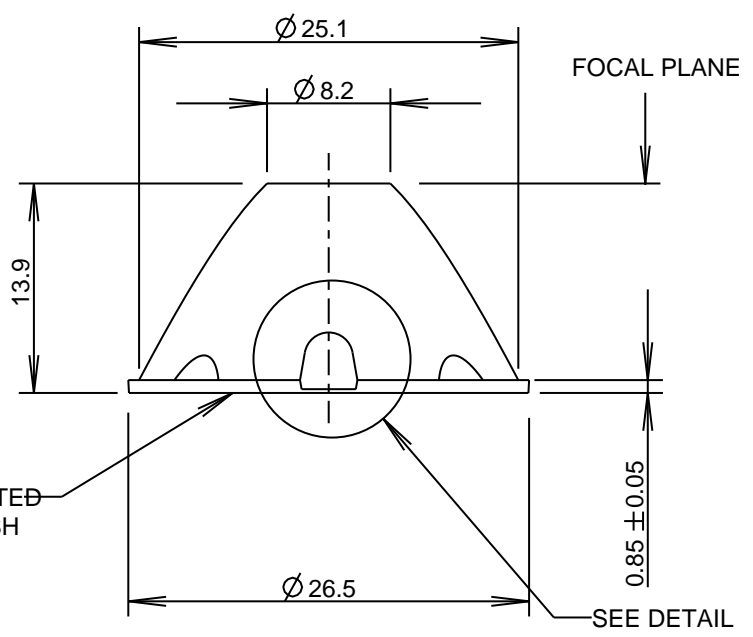
APP'D DATE

SCALE 2:1 CARCLO PART No. 10260

SIZE A4 CARCLO DRG. No. 60463 SHEET 1 OF 1



SCALE 1:1
GENERAL VIEW



DETAIL A
SCALE 4:1

MATERIAL: POLYCARBONATE