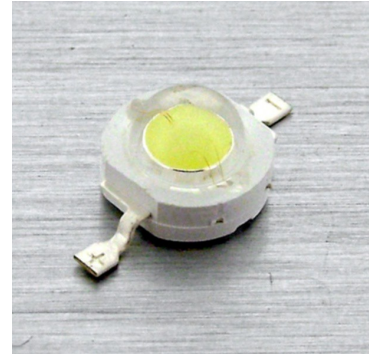


Winger Electronics WEPWW1-E2 1W Warm-white Power LED



ATTENTION
OBSERVE PRECAUTIONS
FOR HANDLING
ELECTROSTATIC
SENSITIVE DEVICES

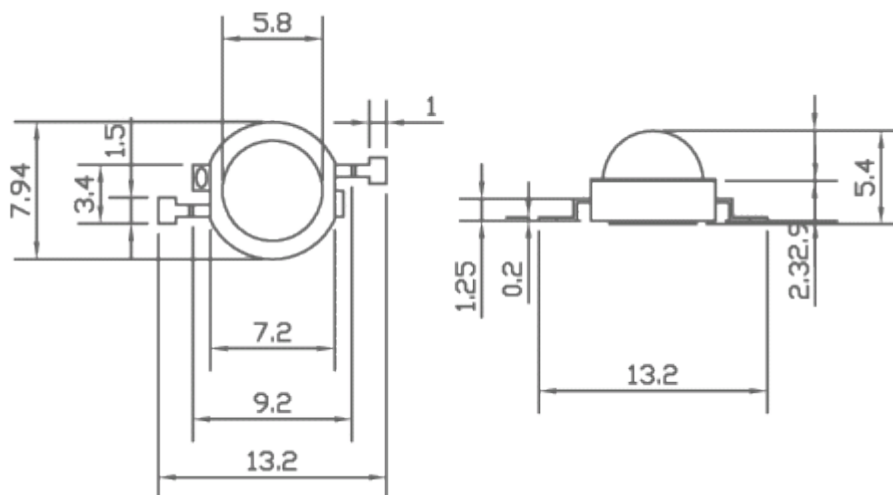


Description

- 1W Power LED
- Emitting Color: Warm-white

Dimension figure

Unit: mm
Tolerances: ± 0.25 mm



Absolute Maximum Ratings

Item	Symbol	Absolute Maximum Rating	Unit
Forward Current	I_F	350	mA
Peak Forward Current *	I_{FP}	1000	mA
Reverse Voltage	V_R	5	V
Power Dissipation	P_O	1	W
Operating Temperature	T_{OPR}	-20 ~ +60	°C
Storage Temperature	T_{stg}	-30 ~ +60	°C
Lead Soldering Temperature	T_{SOL}	Max. 5 sec @ 260	°C

* I_{FP} Conditions: 1/10 Duty Cycle, 0.1ms Puls Width

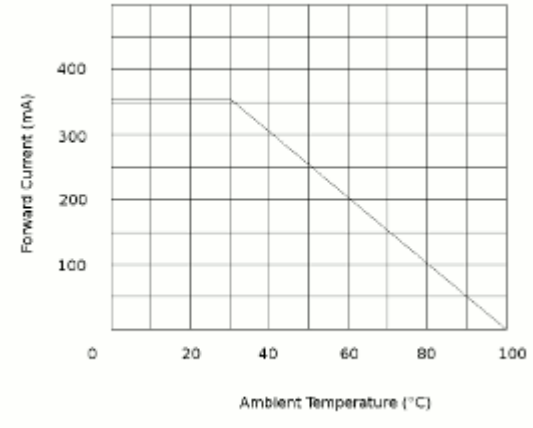
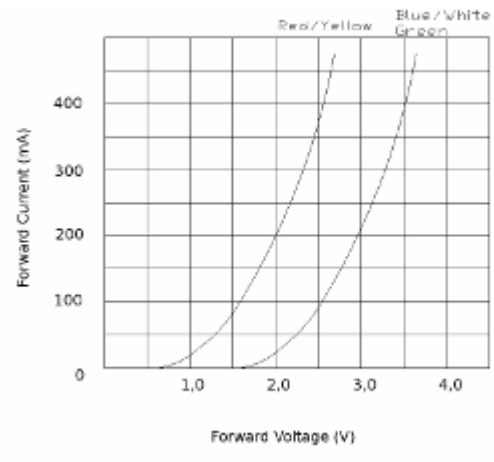
Typical Optical/Electrical Characteristics

Item	Symbol	Condition	Min.	Typ.	Max.	Unit
Forward Voltage	V_F	$I_F=350mA$	3	3,2	3,6	V
50% Power Angle			-	120	-	deg
Luminous Intensity	I_V		-	-	90	lm
Dominant Wavelength	λ_D		-	-	-	nm
Color Temperature	T_C		2600	-	3000	K
Recommended Forward Current	$I_{F(rec)}$		-	-	350	mA
Reverse Current	I_R	$V_R=5V$	-	-	20	μA

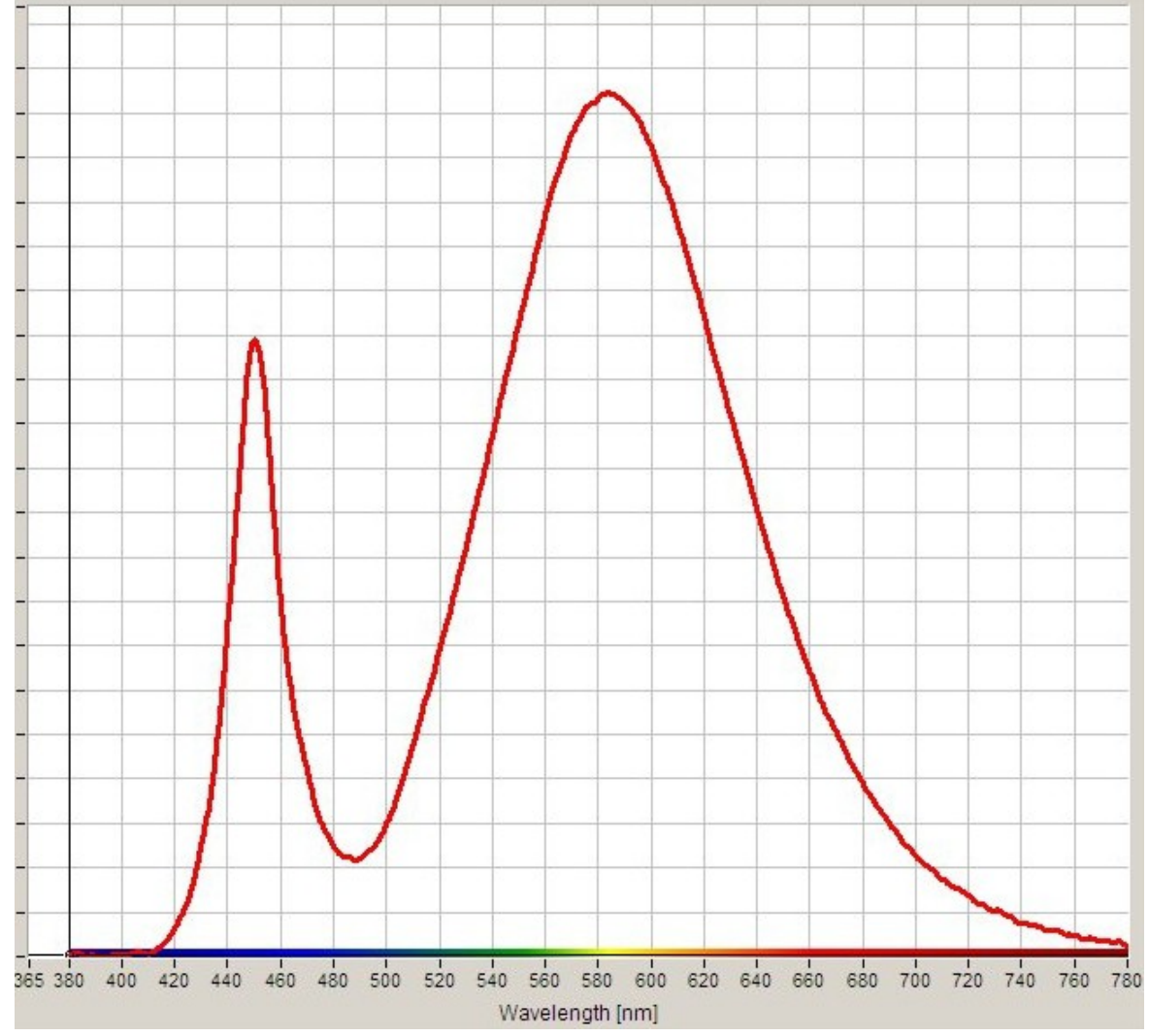
Notes:

1. It's strongly recommended to limit die temperature to 55°C
2. Absolute maximum ratings $T_a=25^\circ C$
3. Measurement Tolerances of Forward Voltage $\pm 0.1V$
4. Measurement Tolerances of peak wavelength $\pm 2.0nm$
5. Measurement Tolerances of luminous intensity $\pm 15\%$
6. Measurement Tolerances of angle intensity $\pm 15\%$

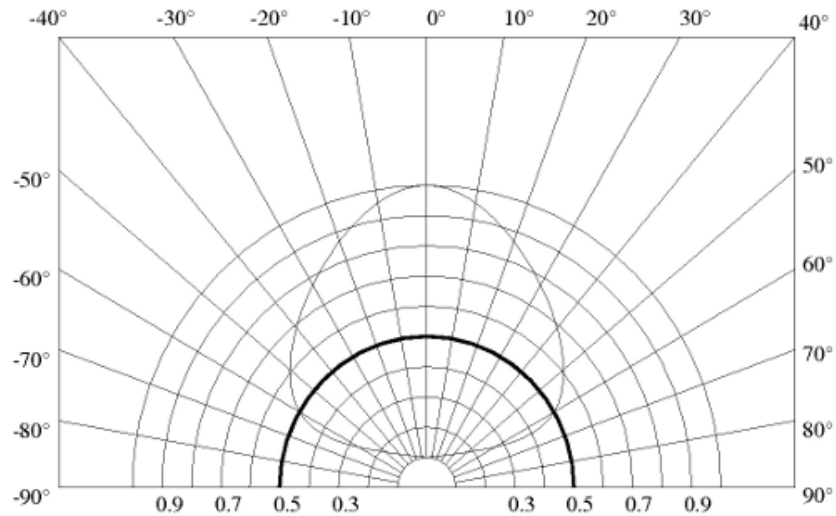
Typical electrical and optical characteristics



Spectrum



Spatial Distribution



7. Warranty

- (1) Perform an acceptance inspection on arrival of the goods. Return the defectives if any stipulating the disqualification and quantity.
- (2) Embedding the LEDs into the application and the verification of life and other qualities in practical use shall be executed by user.
- (3) Do not use the LEDs for the applications that require the higher reliability and security and that may endanger life and health by the breakdown and the malfunction. Seller shall not bear any responsibility or liability with respect to any claims and damages caused by user's usage of the LEDs without following our intended purpose or any written consent.
- (4) Seller shall not bear responsibility for any damages or defects caused by improper operation at the current in excess of the absolute maximum ratings that are not covered by warranty.